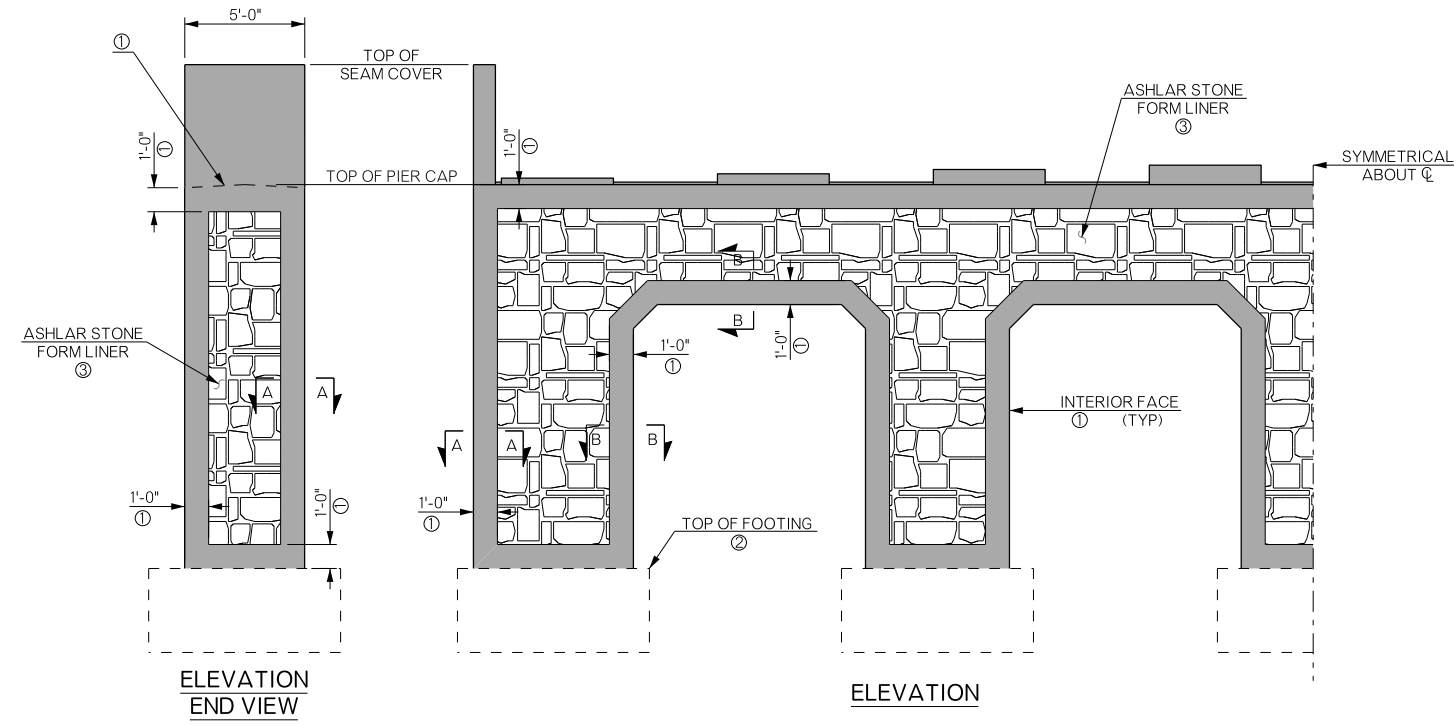
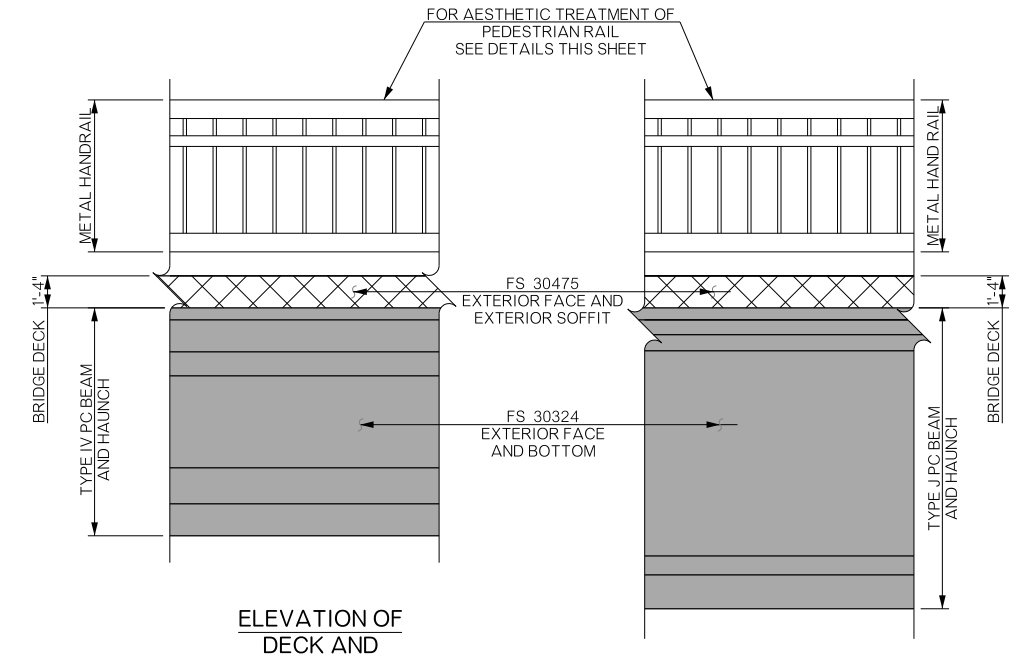


| REVISIONS | | |
|-----------|-------------|------|
| REV. NO. | DESCRIPTION | DATE |
| | | |

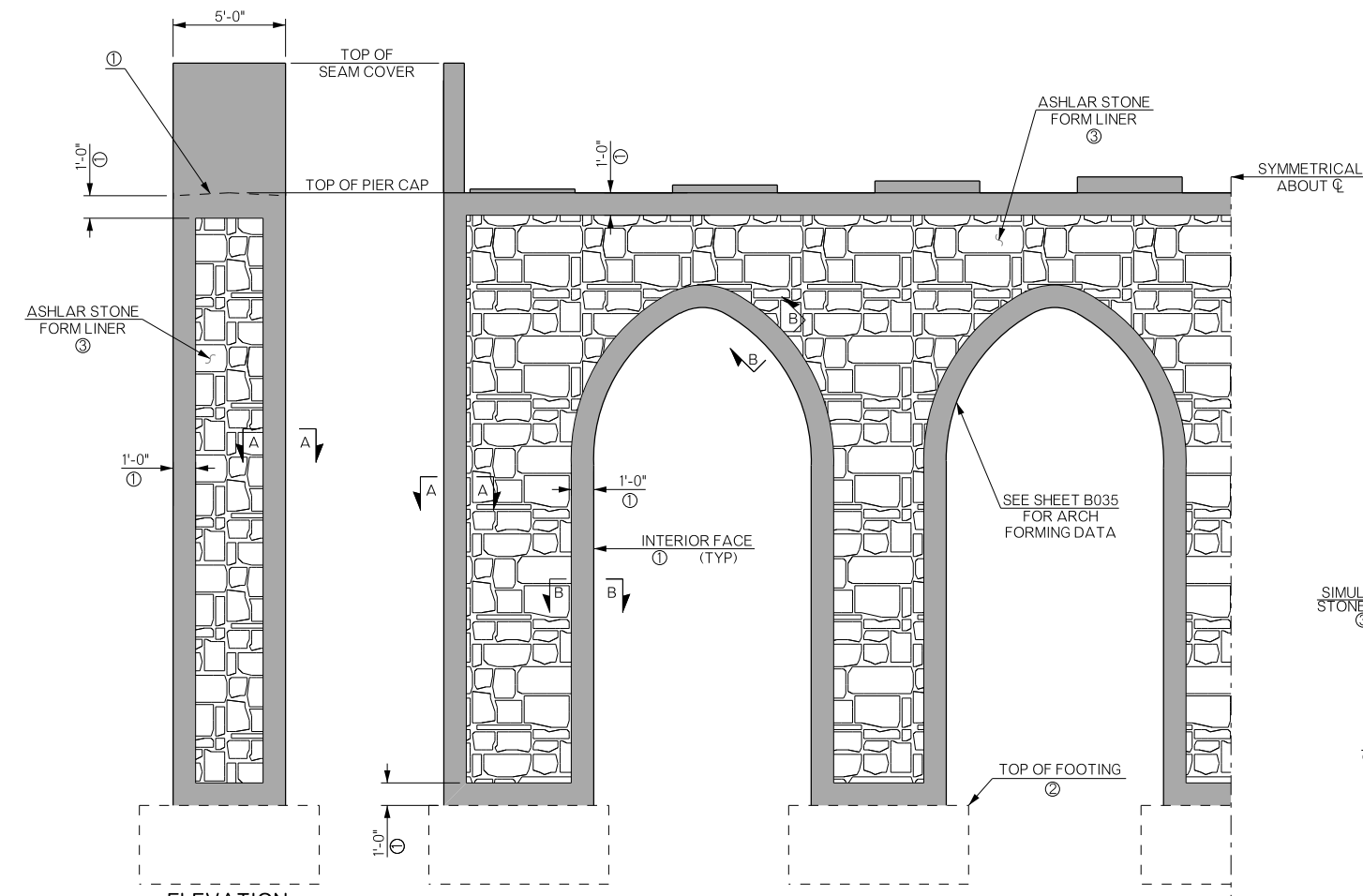


UP/DOWN STATION
PIERS NO.1 AND 2

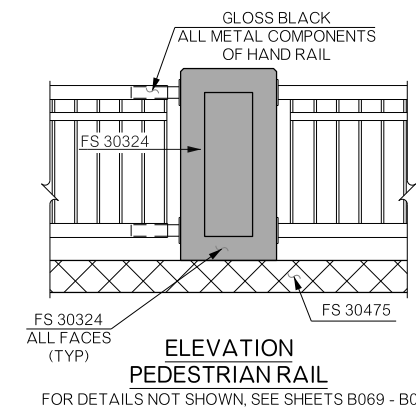


ELEVATION OF
DECK AND
EXTERIOR TYPE IV P.C. BEAM

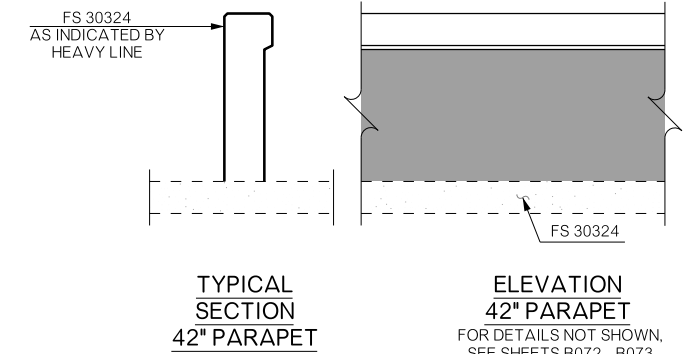
ELEVATION OF
DECK AND
EXTERIOR TYPE J.P.C. BEAM



UP/DOWN STATION
PIERS NO. 3 - NO. 16
FOR DETAILS OF ARCHES, SEE SHEET B035

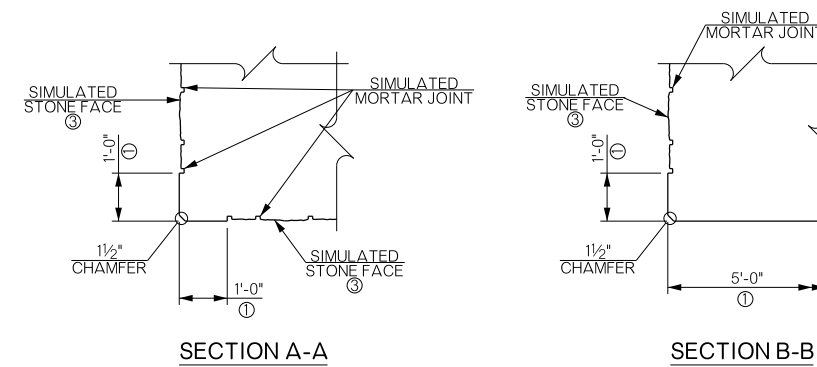


ELEVATION
PEDESTRIAN RAIL
FOR DETAILS NOT SHOWN, SEE SHEETS B069 - B071



TYPICAL
SECTION
42" PARAPET

ELEVATION
42" PARAPET
FOR DETAILS NOT SHOWN,
SEE SHEETS B072 - B073



SECTION A-A

SECTION B-B

NOTES:

- ① SMOOTH CONCRETE FINISH, FULL SECTION THICKNESS.
- ② NO AESTHETIC TREATMENTS APPLIED TO FOOTINGS
- ③ SEE SHEET AB02 FOR DETAILS AND NOTES OF FORM LINER.

FEDERAL STANDARD COLOR:

- FS 30324
- FS 30475
- FS 30475

| | | | | |
|---|--------------|------------------------------|-----|-------------------------|
| BRIDGE "A" SH-33 OVER COTTONWOOD CREEK | LOGAN COUNTY | Design | GT | 11/15 |
| DETAILS OF AESTHETIC TREATMENTS (SHEET 1 OF 2) | | Detail | TIS | 2/16 |
| | | Check | MAP | 8/16 |
| STATE OF OKLAHOMA | | DEPARTMENT OF TRANSPORTATION | | Job Piece No. 21860(04) |
| | | | | Sheet No. B045 |